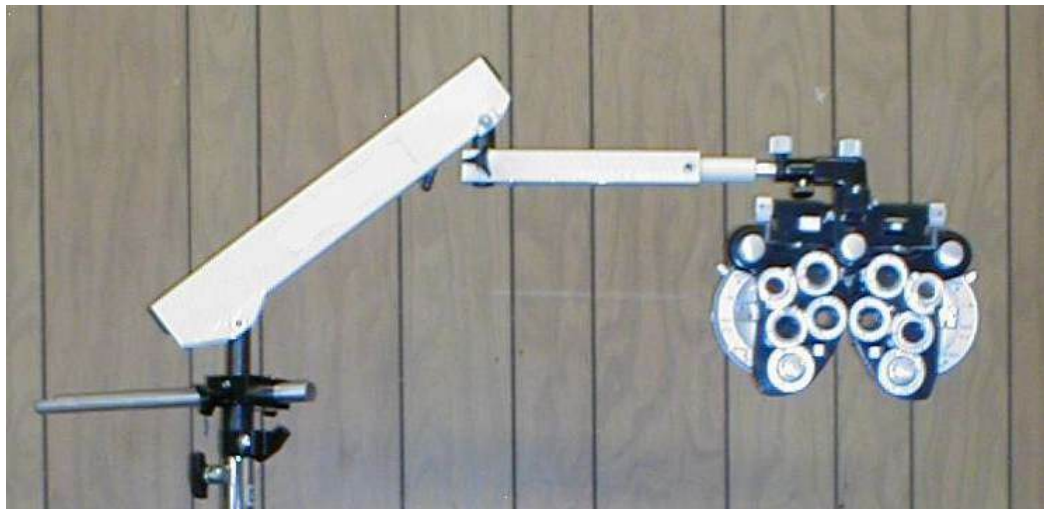


INSTRUCTIONS
DANGER !!!

**Do Not Release Lever# 2
On the spring arm**

**To Release Tension - Until Arm Is Being Held Securely
On The Stand.**



**Optometrics TS-700 Aluminum Tripod Stand w/
Counterbalanced Phoropter Arm.**



Optimetrics TS-700 Aluminum Tripod Stand W/ Counterbalanced Phoropter Arm

INSTRUCTIONS

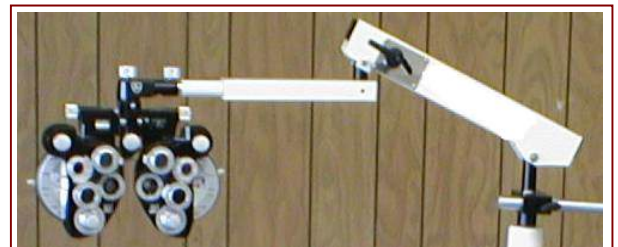
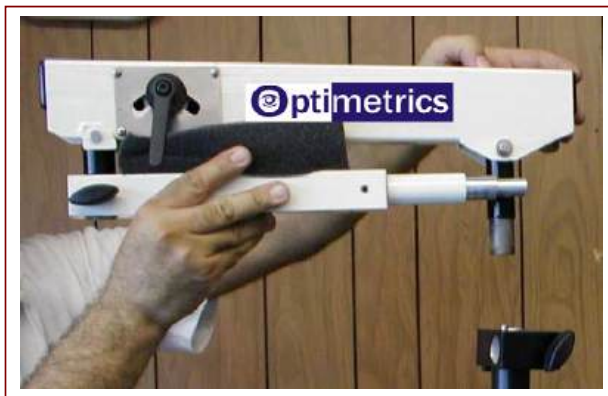
DANGER !!! Do Not Move Lever # 2
To Release Tension - Until Arm Is Being Held Securely On The Tripod.

1.- MOUNTING THE SPRING COUNTER BALANCED PHOROPTOR ARM:

- a) Open tripod legs
- b) Place filled water bag on ring as seen on the following picture



- c) Place the C/B Arm's Pin # 2b through the 90-degree mount # 4 and the Tripods center tube.
- d) With one hand pushing the C/B Arm down, turn adjustable lever # 2 to release tension.
- e) Move the 10" Phoropter Arm # 3 out of storage position, to where the phoropter can be attached.
- f) Slowly let C/B Arm move upwards.
- g) Now position the Arm so that it is over one of the tripod legs (this gives the tripod more stability)
- h) Tighten Knob #4b, also # 3c if you want the arm to remain in that position
- i) The Arm should be in its highest position
- j) The Phoropter can now be placed on the Phoropter Pin # 3a.



TRIPOD

1 Tripod

C/B ARM

2 C/B Arm

2a Front Pin

2b Back Pin

2c Lever

2d Locking Ring

PHOROPTOR ARM

3 Phoroceptor Arm

3a Phoroceptor Pin

3b Safety Hole

3c Knob

4 90 Degree Mount

WATER BAG

5 Water bag

2b

4

2

PHOROPTOR ARM

3 Phoroceptor Arm

3a Phoroceptor Pin

3b Safety Hole

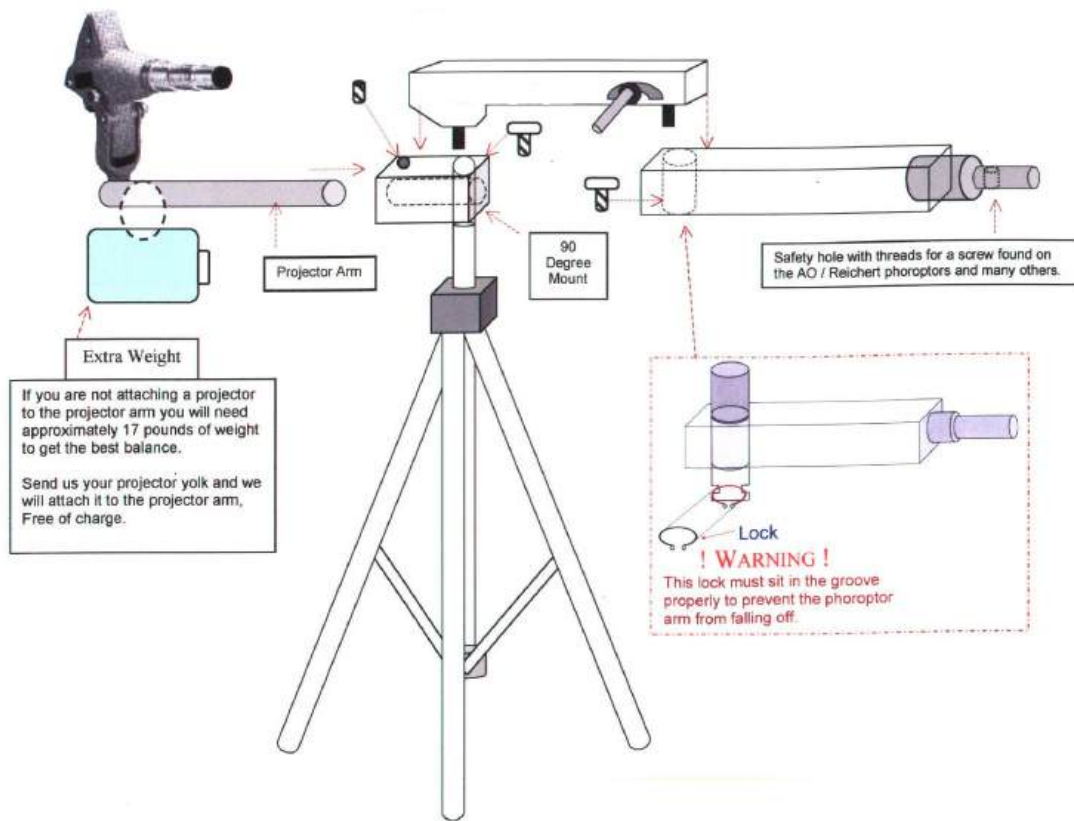
3c Knob

4 90 Degree Mount

3c

5

1



Optometrics TS-700 Aluminum Tripod Stand W/ Counterbalanced Phoropter Arm.

Rotate screw to change the tension of the spring for smoother or stiffer up & down movement for your phoropter.

